

EQUIP. TYPE R-3904/URP EXP. NO.

COL. 015-0372-00

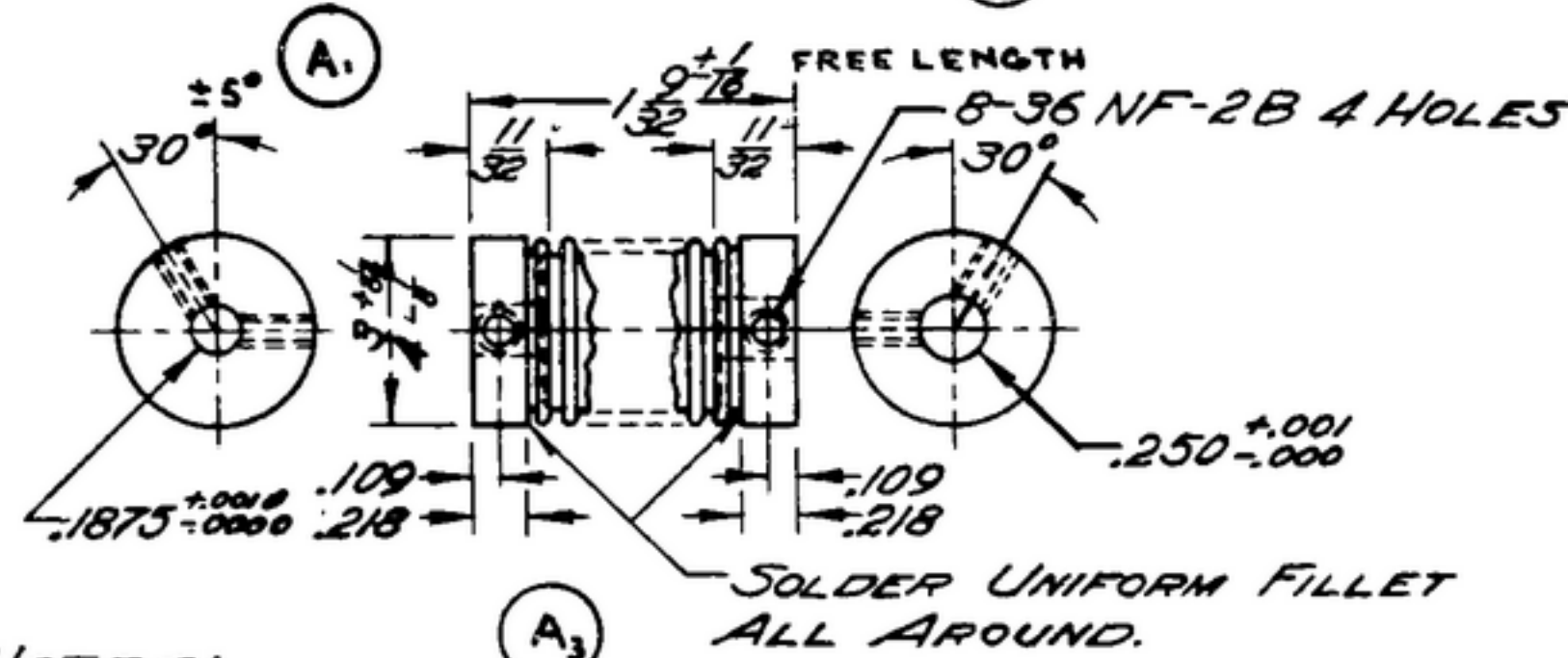
NOTICE: WHEN GOVERNMENT DRAWINGS, SPECIFICATIONS, OR OTHER DATA ARE USED FOR ANY PURPOSE OTHER THAN IN CONNECTION WITH A DEFINITELY RELATED GOVERNMENT PROCUREMENT OPERATION, THE UNITED STATES GOVERNMENT THEREBY INCURS NO RESPONSIBILITY AND ANY OBLIGATION WHATSOEVER; AND THE FACT THAT THE GOVERNMENT MAY HAVE FORMULATED, FURNISHED, OR IN ANY WAY SUPPLIED THE SAID DRAWINGS, SPECIFICATIONS, OR OTHER DATA IS NOT TO BE REGARDED BY IMPLICATION OR OTHERWISE AS IN ANY MANNER LICENSING THE HOLDER OR ANY OTHER PERSON OR CORPORATION, OR CONFERRING ANY RIGHTS OR PERMISSIONS TO REPRODUCE, USE, OR SELL ANY PATENTED INVENTION THAT MAY IN ANY WAY BE RELATED THEREBY.

THIS DOCUMENT HAS BEEN PURCHASED BY THE GOVERNMENT AND MAY BE REPRODUCED AND USED IN CONNECTION WITH ANY GOVERNMENT PROCUREMENT OR MAINTENANCE OPERATION.

\* FOR INFORMATION ONLY. CONTRACTOR MAY AT HIS OPTION DEVIATE FROM THESE PROCESS DETAILS.

~~X SWE APPROVAL~~  
SYM PR10042-9

REVISIONS			
SYM	DESCRIPTION	DATE	APPRVAL
A <sub>8</sub>	A <sub>1</sub> ADDED ANGLE TOL. A <sub>2</sub> ADDED "FREE LENGTH" A <sub>3</sub> D64624 WAS NO. 14 A <sub>4</sub> WAS BRASS A <sub>5</sub> MATL WAS 80-20 BRASS A <sub>6</sub> WALL THICKNESS WAS .004 A <sub>7</sub> THRUST SPEC REPLACED SPRING RATE, ETC A <sub>8</sub> ADDED APPL SM-D-343620	4 NOV 59	4242B-PC 59-AI-SI REV'D PME



NOTES:

1. PART MAY BE NO. D64624 AS SUPPLIED BY CLIFFORD MFG. CO., WALTHAM, MASS, OR EQUAL, PROVIDING IT MEETS THE FOLLOWING REQUIREMENTS & DIMENSIONS SHOWN.

DESCRIPTION: FLEXIBLE SHAFT COUPLING CONSISTING OF BRONZE BELLOWS, BRAZED OR SOLDERED TO SOLID BRASS HUBS. (A<sub>4</sub>)

BELLOWS DATA:

- (A<sub>5</sub>) MATERIAL: # 410 ALLOY BRONZE  
NO. OF CONVOLUTIONS: 11 (9 ACTIVE); .062 LENGTH PER CONVOLUTION.
- (A<sub>6</sub>) WALL THICKNESS: .0040-.0045  
THRUST SPECIFICATION TO COMPRESS BELLOWS .060 BELOW FREE LENGTH WILL REQUIRE 0.81# TO 1.20# THRUST (EST)
- (A<sub>7</sub>) HUBS: BRASS, COMP. R2, TEMPER ONE HALF HARD, PER SPEC QQ-B-626.

COLLINE PART NO.	ITEM	REQS	PART NO.	DESCRIPTION	QTY	MATL SPEC
LIST OF MATERIAL						
COLLINE PART NO. <u>550-0108-002</u>						

DRAWN <i>RC HILL</i>				CHECKED <i>[Signature]</i>		APPROVED		-COLLINE-RASIS-00- -OSAR-04100-100A- 14214-PH-51-93		DEPARTMENT OF THE ARMY SIGNAL CORPS ENGINEERING LABORATORIES  FORT MONMOUTH NEW JERSEY  SM-B-249/96
UNLESS OTHERWISE SPECIFIED: DECIMAL DIMENSIONS INCLUDING HOLE SIZES MAY VARY ±.005 FRACTIONAL DIMENSIONS INCLUDING HOLE SIZES MAY VARY ±1/64 MACHINED ANGLES MAY VARY ±.1° SHEARED ANGLES MAY VARY ±.25° BROKEN ANGLES MAY VARY ±.1° ECCENTRICITY BETWEEN ANY DIAMETERS ON THE SAME CENTERLINE SHALL NOT EXCEED .010 TOTAL INDICATOR READING. ALL DIMENSIONS ARE FINISH DIMENSIONS INCLUDING APPLIED FINISH AND ARE GIVEN IN INCHES.								SIGNAL CORPS		
SM-D-343620								REVIEWED <i>PME</i>		
550-0363-004-1 SM-D-248816 SC-DL-248775								APPROVED <i>HLV</i> <i>PME</i>		
-COLLINE NO. - QTY - NEXT ASSY - USED ON -				APPLICATION		DATE <u>11 JAN 56</u>		SCALE <u>///</u>		